

BF Micro™ - Adhesive Applicator

The BF MICRO™ adhesive applicator is designed to give the performance of the Larger Mod-Plus applicators but in a smaller, more compact design. The integrated needle allows the Micro™ to be a self-cleaning module which virtually eliminates adhesive stringing. In addition, the air open/air close design provides accurate and uniform adhesive patterns and beads.

BF Micro™ Applicator:

- Standard air open/air close module provides positive shut-off and on-cycle
- Self-cleaning nozzle virtually eliminates adhesive stringing and downtime
- Platinum sensor provides better temperature control over nickel sensors
- Compatible with most competitive configurations
- Water resistant standard

Reliability

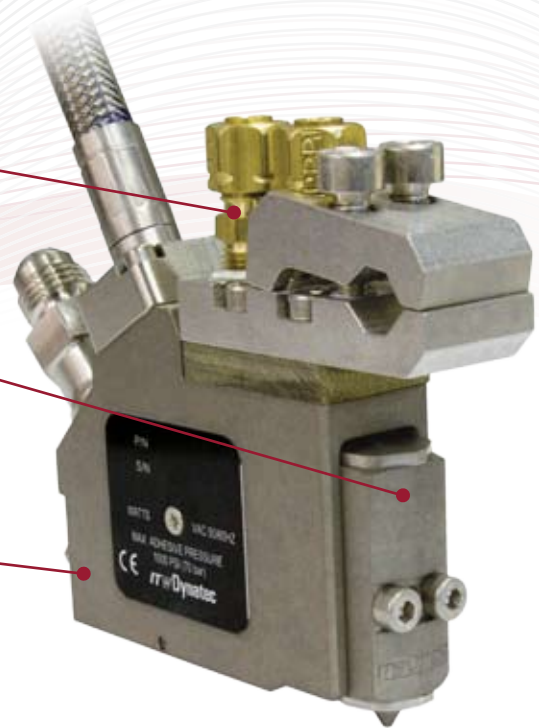
Air open/air close standard gives clean, sharp cut-off everytime.

Simplicity

Small design makes installation in hard-to-reach places easier.

Performance

Built-in, heated filter better maintains a clean nozzle orifice.



ITW Dynatec - BF Micro™ Applicator

The Dynatec Difference...

Air open/air close standard

Over time, adhesive applicator modules that use an air open/spring close system can lose spring tension, resulting in stringing and poor cut-offs. The BF Micro™ applicator module is designed to operate as an air open/air close system that does not rely on a spring to close the orifice during operation. The result is both cleaner cut-offs and better general

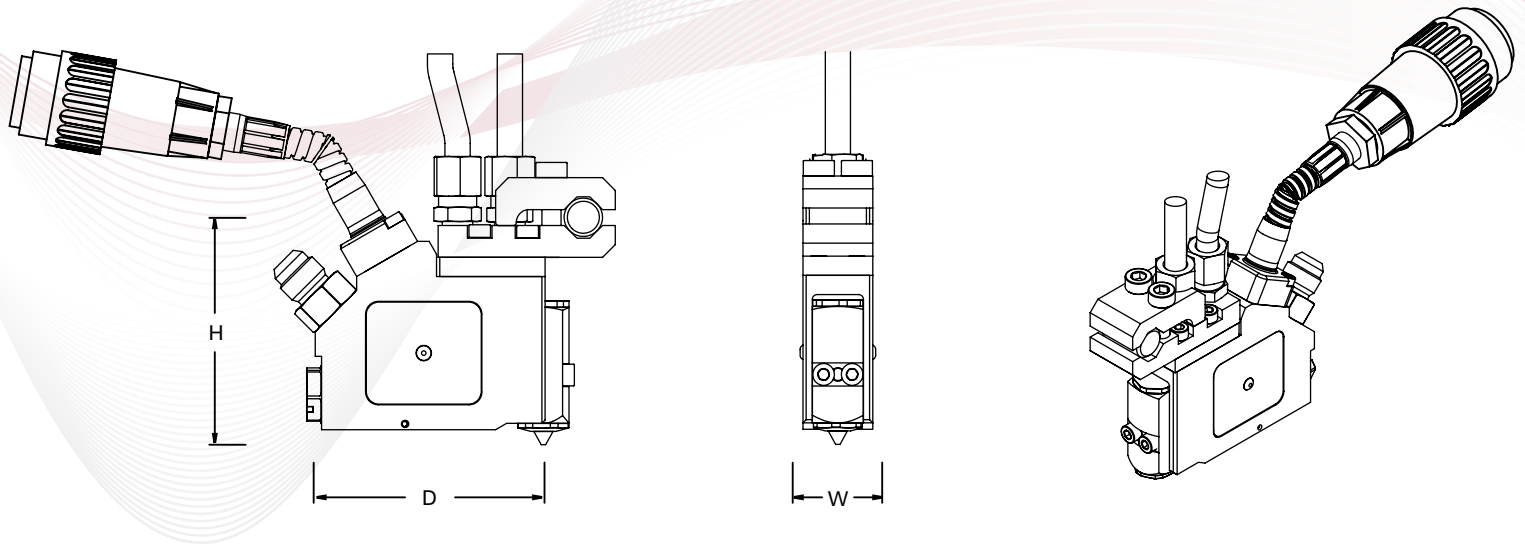
operation over a longer operating lifespan. While this feature may be optional on competitive modules, only ITW Dynatec offers this feature standard on the BF Micro™ adhesive applicator.

BF Micro™ - Adhesive Applicator

System	BF Micro™
Operating Temperature Range	38°C to 218°C (100°F to 425°F)
Minimum Operating Pneumatic Pressure	5 bar (74 psi)
Maximum Operating Pneumatic Pressure	9.7 bar (140 psi)
Minimum Adhesive Pressure	41 bar (600 psi)
Maximum Adhesive Pressure	68 bar (1,000 psi)
Minimum Adhesive Viscosity	600 cps
Maximum Adhesive Viscosity	1,500 cps
Maximum On/Off Cycle Speed	5,000 cycles/minute

* Specifications are based on 1,000 cps adhesive

Dimensions	BF Micro™
Height (H)	73.5 mm (2.89 in)
Depth (D)	106.3 mm (4.16 in)
Width (W)	22 mm (0.87 in)



ITW Dynatec

ASIA
ITW Dynatec Hong Kong
Unit A-B, 11/FI., Leahander
Centre 28
Wang Wo Tsai Street
Tsuen Wan NT Hong Kong

AMERICAS
ITW Dynatec
31 Volunteer Drive
Hendersonville, TN 37075
Telephone 615-824-3634
+1.800.860.6150
Fax +1.615.264.5248
dynatec@itwdynatec.com

JAPAN
ITW Dynatec K.K.
Tsukimura Building 5th Floor
26-11, Nishikamata 7-chome
Ota-ku, Tokyo 144-0051, Japan
Telephone +81.3.5703.5501
Fax +81.3.5703.5505
info@itwdynatec.co.jp

EUROPE, AFRICA and MIDDLE EAST
ITW Dynatec GmbH
Industriestrasse 28
D-40822 Mettmann, Germany
Telephone +49.210.4915.0
Fax +49.210.491.5111
e.mail@itwdynatec.de

© 4/2009 ITW Dynatec
ITW Dynatec reserves the right to discontinue or change specifications, designs, materials and equipment without notice or obligation.

Visit us at www.itwdynatec.com